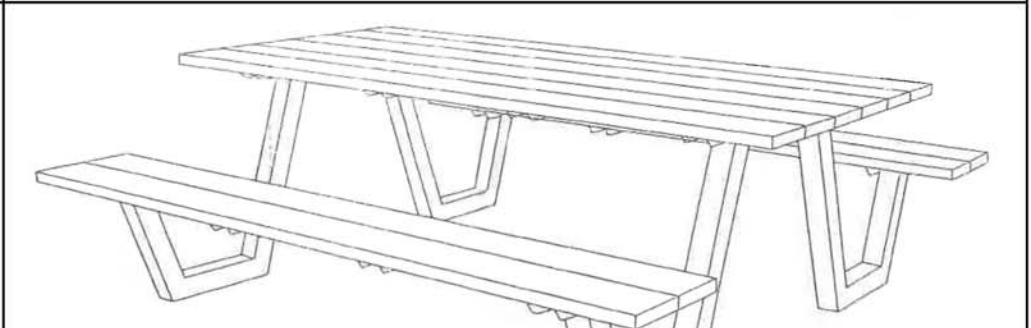
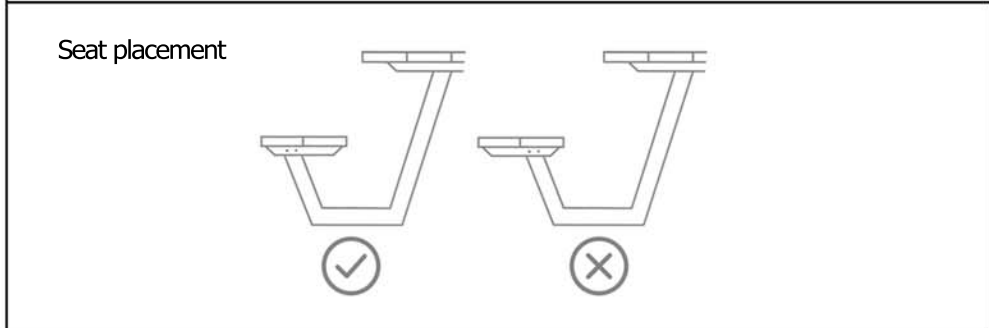
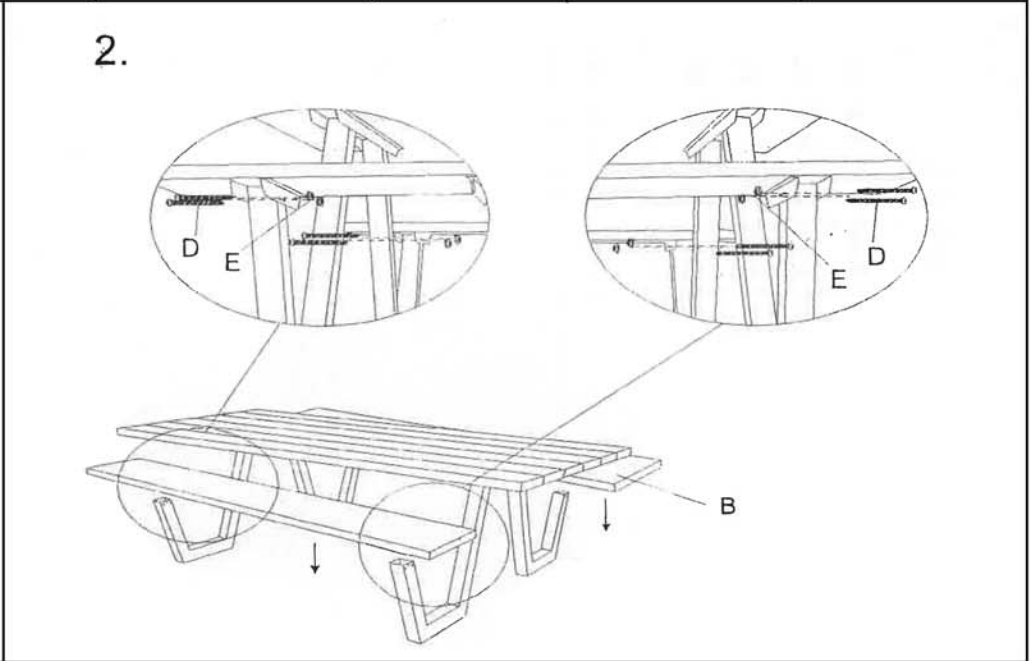
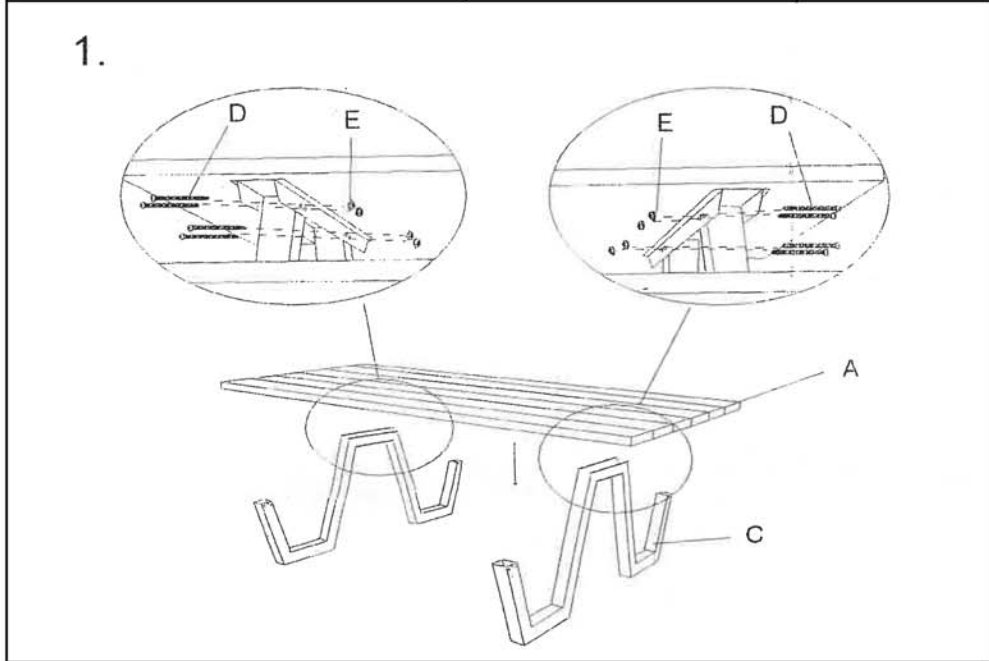

A - TOP 1 PC	B - SEAT 2 PCS	C - LEG 2 PCS	D - BOLT 12 PCS	E - NUT 12 PCS	F - WRENCH 1 PC	G - HEX KEY 1 PC



SID Picnic Table # 1820  
**emuamericas, llc**  
 T: 303.733.3385  
 email: info@emuamericas.com